

Series 86 Membrane Systems



Cost-Effective Water Purification

Membrane filtration has been proven to offer cost-effective purification of water for a variety of applications. Creating water solutions for more than 20 years, Crown Solutions offers membrane technology for industrial processes including:

- › Purifying process water
- › Providing high purity water to utility systems
- › Treating wastewater streams for recycling and reuse

The Series 86 Membrane Systems treat flow rates from 25 to 1000+ gpm and can be designed with several different types of membranes.

Ultra Filtration (UF) membranes remove sub-micron sized particles and high molecular weight organics from water streams.

Nanofiltration (NF) membranes remove in excess of 98% of divalent dissolved solids as well as a significant amount of monovalent species.

Reverse Osmosis (RO) membranes remove 99% or more of all dissolved solids.

Series 86 membrane systems are delivered fully assembled on skids and are factory tested to minimize installation costs and make start-up easy.

Benefits that Make a Difference

- › Minimized capital costs with membrane housing that hold six standard 8-inch diameter RO membranes or four standard UF membranes.
- › Built-in Clean-In-Place (CIP) provisions for each stage for more effective cleanings.



- › Pressure indication at all critical points for tracking system performance, which extends the life of system components.
- › Industrial Programmable Logic Control (PLC) with operator interface allows for reliable, flexible operation.
- › Automatic periodic flushing of system helps maintain optimal membrane performance
- › Prefilter housing included on all RO and NF systems for pump and membrane protection.
- › True flow control valves ensure stable flows and minimize vibration and noise.

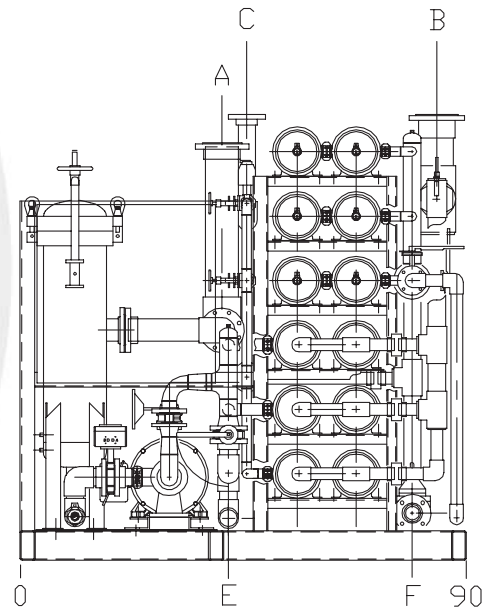
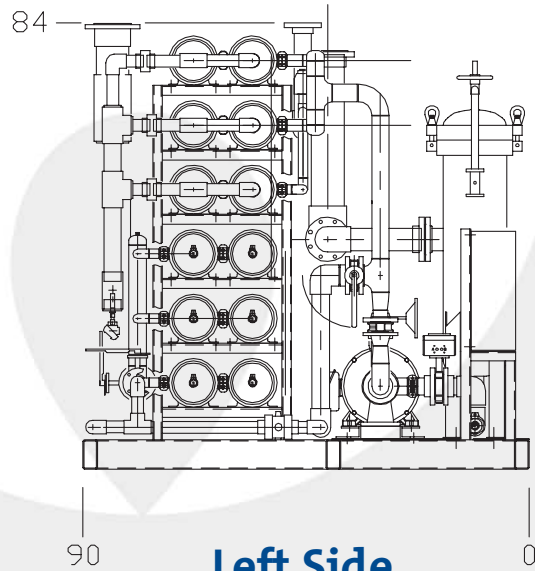
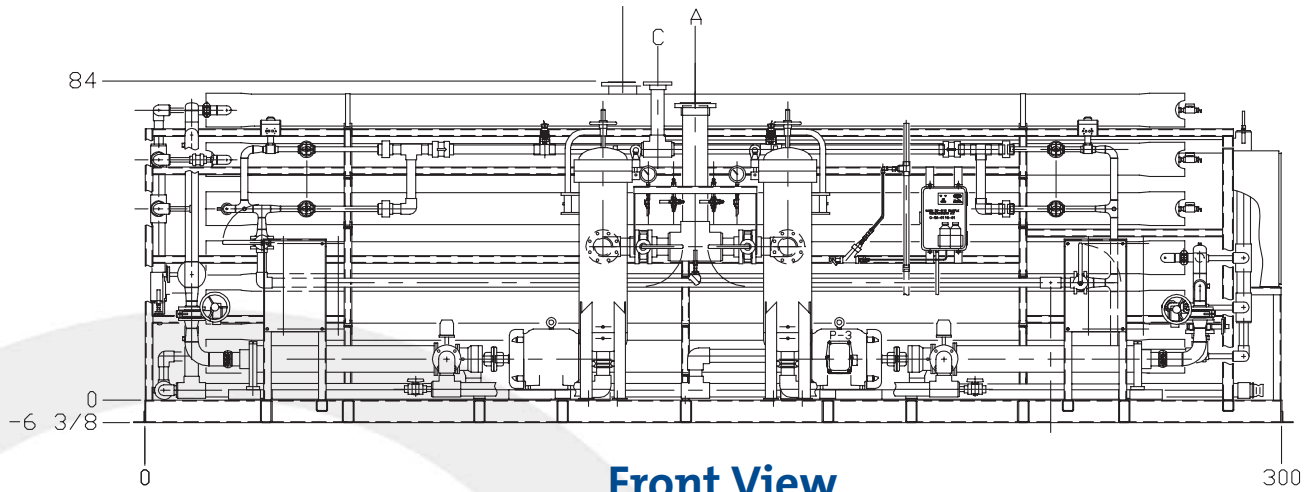
Options

- › CIP piping and pump integrated into skid
- › Motor starters and electrical disconnects
- › External communications
- › Single skid for multiple systems
- › Two pass designs



Solutions & Technologies

Series 86 Membrane Systems



Crown Solutions
945 South Brown School Road
Vandalia, OH 45377
Toll free: 1-800-875-4075
Tel. 1-937-890-4075
Fax: 1-937-890-9925

www.crownsolutions.com
info@crownsolutions.com